

Chapter 2

Fundamentals of Matrix Converter

This chapter aims to give a general description of the basic features of a three phase to three phase matrix converter in terms of performance and of technological issues. This chapter does not require to the reader a special knowledge of the matrix converter technology. It is worth noting that the three phase to three phase configuration is just one of the possible direct AC-AC converter topologies [1], which are not in the scope of the present report.

The matrix converter has several advantages over traditional rectifier-inverter type power frequency converters. It provides sinusoidal input and output waveforms, with minimal higher order harmonics and no subharmonics; it has inherent bi-directional energy flow capability; the input power factor can be fully controlled. Last but not least, it has minimal energy storage requirements, which allows to get rid of bulky and lifetime-limited energy-storing capacitors.

But the matrix converter has also some disadvantages. First of all it has a maximum input-output voltage transfer ratio limited to $\cong 87\%$ for sinusoidal input and output waveforms. It requires more semiconductor devices than a conventional AC-AC indirect power frequency converter, since no monolithic bi-directional switches exist and consequently discrete unidirectional devices, variously arranged, have to be used for each bi-directional switch. Finally, it is particularly sensitive to the disturbances of the input voltage system [2],[3].

The comments and remarks made in this chapter are somewhere supported by simulation results obtained from a simplified simulation model described in chapter 4.

2.1 The topology

The matrix converter consists of 9 bi-directional switches that allow any output phase to be connected to any input phase. The circuit scheme is shown in Fig.2.1.

The input terminals of the converter are connected to a three phase voltage-fed system, usually the grid, while the output terminal are connected to a three phase current-fed system, like an induction motor might be. The capacitive filter on the voltage-fed side and the inductive filter on the current-fed side represented in the scheme of Fig.2.1 are intrinsically necessary. Their size is inversely proportional to the matrix converter switching frequency [2].

It is worth noting that due to its inherent bi-directionality and symmetry a dual connection might be also feasible for the matrix converter: a current-fed system at the input and a voltage-fed system at the output.

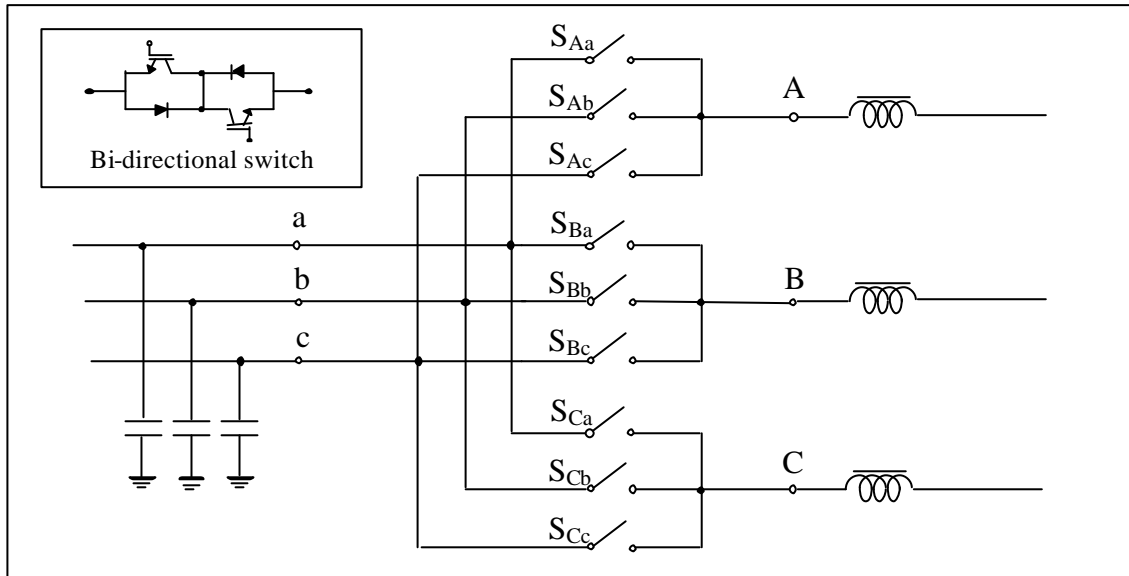


Fig.2.1 Circuit scheme of a three phase to three phase matrix converter.
a,b,c are at the input terminals. A,B,C are at the output terminals.

With nine bi-directional switches the matrix converter can theoretically assume $512 (2^9)$ different switching states combinations. But not all of them can be usefully employed. Regardless to the control method used, the choice of the matrix converter switching states combinations (from now on simply matrix converter configurations) to be used must comply with two basic rules. Taking into account that the converter is supplied by a voltage source and usually feeds an inductive load, the input phases should never be short-circuited and the output currents should not be interrupted. From a practical point of view these rules imply that one and only one bi-directional switch per output phase must be switched on at any instant. By this constraint, in a three phase to three phase matrix converter 27 are the permitted switching combinations.

2.2 The performance

This section gives a short description of what are the performance of a matrix converter. A qualitative analysis of some performance parameters is carried out. Some numerical results based on a simplified model of a matrix converter system are also shown.

2.2.1 The output voltage

Since no energy storage components are present between the input and output side of the matrix converter, the output voltages have to be generated directly from the input voltages. Each output voltage waveform is synthesized by sequential piecewise sampling of the input voltage waveforms. The sampling rate has to be set much higher than both input and output frequencies, and the duration of each sample is controlled in such a way that the average value of the output waveform within each sample period tracks the desired output waveform [2]. As consequence of the input-output direct connection, at any instant, the output voltages have to fit within the enveloping curve of the input voltage system. Under this constraint, the maximum output voltage the matrix converter can generate without entering the over-modulation range is equal to $\sqrt{3}/2$ of the maximum input voltage: this is an intrinsic limit of matrix converter and it holds for any control law [2],[4].

Entering in the over-modulation range, thus accepting a certain amount of distortion in the output voltages and input currents, it is possible to reach higher voltage transfer ratio [5]-[7].

In Fig.2.2 the output voltage waveform of a matrix converter is shown and compared to the output waveform of a traditional voltage source inverter (VSI). The output voltage of a VSI can assume only two discrete fixed potential values, those of the positive and negative DC-bus. In the case of the matrix converter the output voltages can assume either input voltage a, b or c and their value is not time-invariant: the effect is a reduction of the switching harmonics [4].

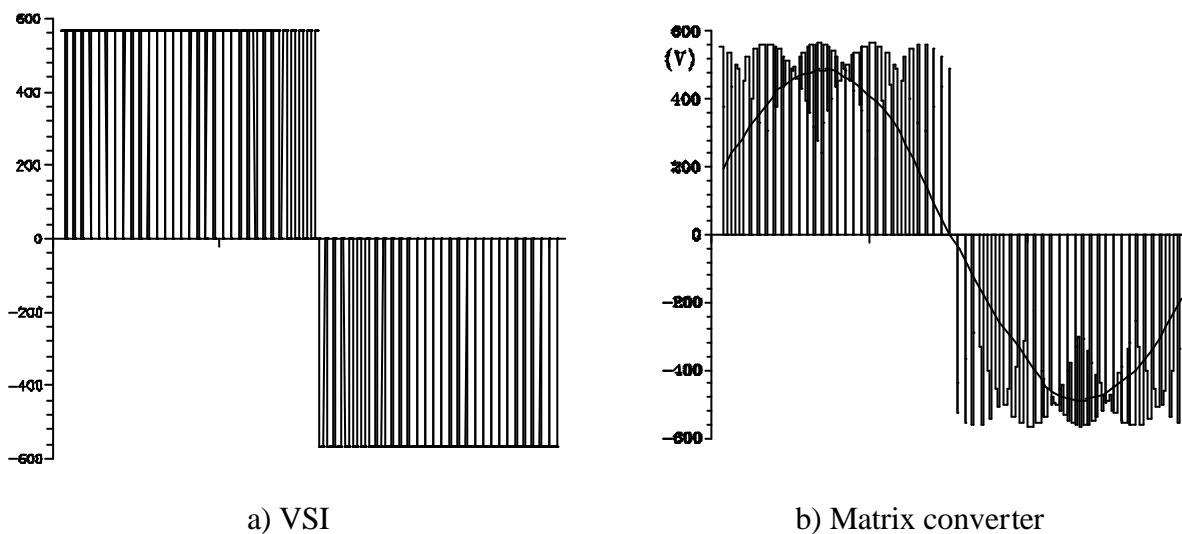


Fig.2.2 Output voltage waveforms generated by a VSI and a matrix converter

2.2.2 The input current

Likewise to the output voltages, the input currents are directly generated by the output currents, synthesized by sequential piecewise sampling of the output current waveforms. If the switching frequency of the matrix converter is set to a value that is much higher than the input

and output frequency, the input currents drawn by the converter are sinusoidal: their harmonic spectrum consists only of the fundamental desired component plus a harmonic content around the switching frequency.

In Fig.2.3 the input current drawn by a matrix converter for a 2 kHz switching frequency is shown. It can be noted that the amplitude of the switching harmonic components is comparable to the fundamental amplitude. It is then obvious that an input filter is needed in order to reduce the harmonic distortion of the input line current to an acceptable level. It follows that care should be used in speaking about matrix converters as an “all silicon” solution for direct AC/AC power conversion, since some reactive components are needed.

The matrix converter performance in terms of input currents represent a significant improvement with respect to the input currents drawn by a traditional VSI converters with a diode bridge rectifier, whose harmonic spectrum shows a high content of low-order harmonics. By the light of the standards related to power quality and harmonic distortion of the power supply this is a very attractive feature of matrix converter.

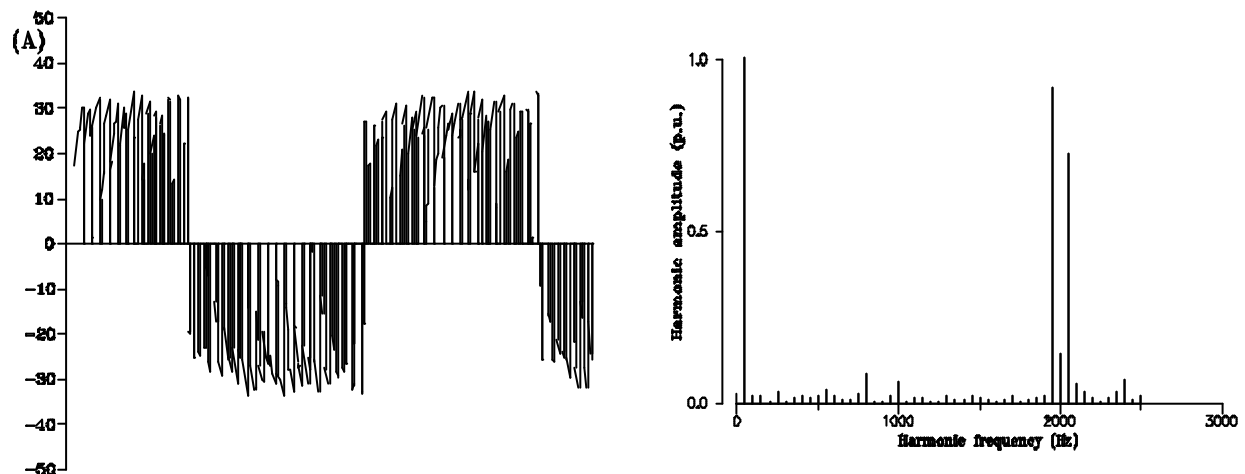


Fig.2.3 Matrix converter input current and harmonic spectrum. Switching frequency 2kHz.

2.2.3 The input power factor control

The input power factor control capability is another attractive feature of matrix converters, which holds for most of the control algorithms proposed in literature [2], [3], [8]-[11]. Despite of this common capability it is worth noting that a basic difference exists with respect to the load displacement angle dependency.

For instance, the algorithm proposed in [2] does not require the knowledge of the load displacement angle in order to fully control the input power factor. On the contrary, the algorithm in [3] does require the knowledge of the load displacement angle whenever the

reference input power factor is different from unity. From an algorithm computational burden point of view this is a drawback, since it implies additional quite heavy calculations.

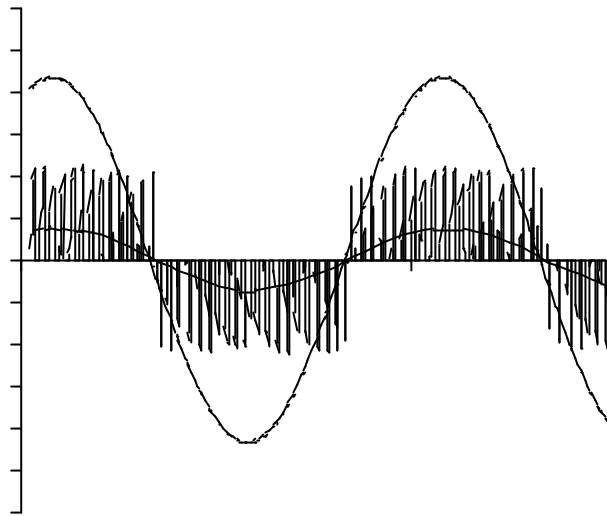


Fig.2.4 Matrix converter input line-to-neutral voltage, instantaneous input current and its average value. Switching frequency 2kHz.

2.3 Implementation of the Matrix Converter

Looking at the basic features of the matrix converter that have been briefly described in the previous sections it might be surprising to establish that this converter topology, today, has not found a wide utilization yet. The reasons have to be sought in a number of practical implementation problems that have slowed down the development of this technology.

2.3.1 The bi-directional switch realization and commutation

A first key problem is related to the bi-directional switches realization. By definition, a bi-directional switch is capable of conducting currents and blocking voltages of both polarities, depending on control actual signal [12]. But at present time a true bi-directional switch is still not available on the market [13], [14] and thus it must be realized by the combination of conventional unidirectional semiconductor devices. Fig.2.5 shows different bi-directional switch configurations which have been used in prototype and/or proposed in literature [11], [12], [15].

Another problem, tightly related to the bi-directional switches implementation, which has represented a main obstacle to the industrial success of the matrix converter, is the commutation problem. The commutation issue basically rises from the absence, in the matrix converters, of static freewheeling paths. As consequence it becomes a difficult task to safely commute the

current from one bi-directional switch to another, since a particular care is required in the timing and synchronisation of the switches command signals.

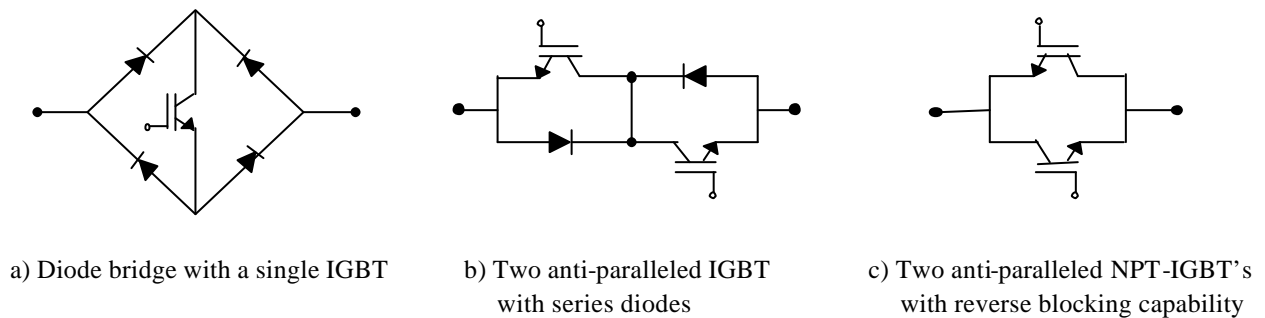


Fig.2.5 Possible discrete implementations of a bi-directional switch.

The problem of the bi-directional switches implementation and the relevant commutation issue will be surveyed more in details in chapter 3.

2.3.2 The input filter issue

Although the matrix converter is sometimes presented as an all silicon solution, due to the lack of the bulky and expensive DC-link capacitors of traditional indirect frequency converter, it also requires a minimum of reactive components, represented by the input filter.

The input filter acts as an interface between the matrix converter and the AC mains (Fig.2.6). Its basic feature is to avoid significant changes of the input voltage of the converter during each PWM cycle, and to prevent unwanted harmonic currents from flowing into AC mains [2],[19]. As matter of fact, due to the discontinuous input currents, the matrix converter behaves as a source of current harmonics, which are injected back into the AC mains [16]. Since these current harmonics result in voltage distortions that affect the overall operation of the AC system, they have to be reduced.

The principal method of reducing the harmonics generated by static converters is provided by input filter using reactive storage elements [20].

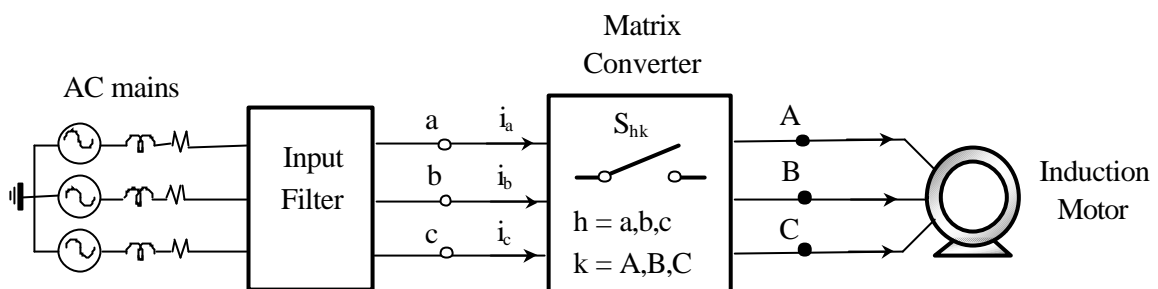


Fig.2.6 Schematic representation of a matrix converter adjustable speed drive.

The problem of the input filter design for a matrix converter has been addressed in quite few papers [4], [16]-[18], [22] and looking at the literature, different configurations have been proposed for the matrix converter input filter [2], [17], [22], [23]. Such differences are a consequence of different design criteria, or at least differently weighted, different switching frequencies and different modulation strategies. In Fig.2.7 three input filter configurations used in matrix converter prototype are shown.

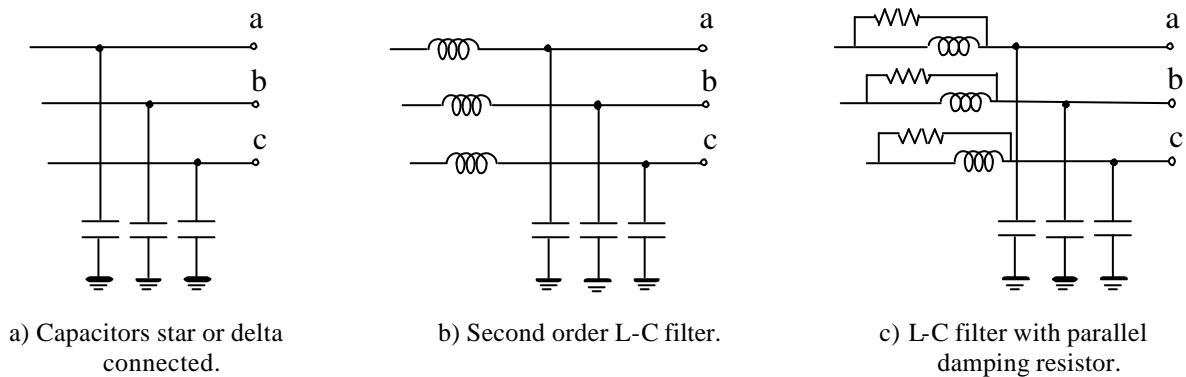


Fig.2.7 Basic input filter configurations used in matrix converter prototypes.

In general, the design of an input filter for static power converters operating from an ac power system has to meet three main requirements:

- 1) carrying out the required switching noise attenuation;
- 2) having a low input displacement angle between filter input voltage and current;
- 3) guaranteeing overall system stability.

In addition to these requirements, a set of considerations related to cost, voltage attenuation, system efficiency and filter parameter variation have to be made for an optimized input filter design [20], [21].

The first requirement is usually dictated by the EMI control standards: the input filter has to reduce the input current and output voltage total harmonic distortion below given values. In order to achieve this result, the resonant frequency of the filter has to be positioned accordingly to the converter switching frequency and its PWM pattern. When the input current harmonic spectrum generated by the converter is known, the filter resonance frequency is positioned where no unwanted harmonic components exist, which is usually the frequency range comprised between the fundamental and the switching frequency. In practice, due to the presence of imperfections and asymmetry in gating signals as well as implementation inaccuracies, some unwanted or uncharacteristic harmonics with small amplitude might exist in this region. If no damping is provided, these unwanted harmonics can be amplified by the filter to unacceptable level. On the other hand, a highly damped filter could not meet the harmonics attenuation requirements [20].

With regard to the matrix converter, Fig.2.7 shows that single stage filter configurations have been basically used to provide harmonic attenuation, but in the light of the new and future EMI standards such configurations are not expected either to meet the regulations or to be economically convenient [18], [21].

With regard to the second requirement, it follows by the presence in the filter of reactive storage elements. As it can be clearly seen from Fig.2.7, a phase displacement of the filter input current with respect to the line-to-neutral voltage proportional to the filter capacitance value is always present. Thus, in order to maintain high input power factor the capacitor size has to be minimized. This typically translates into an upper limit for filter capacitor value [4], [23].

Yet, the capacitor size limitation has several implications on the filter design. In order to meet the required attenuation specifications, the filter inductor size increases, which results in the overall filter size increase. Moreover, the input filter output impedance, related to the total filter capacitance, is more difficult to control, potentially resulting in converter instability [21].

As far as the matrix converter is concerned, a high displacement angle of the input line current due to the input filter capacitance component might be compensated by the matrix converter, setting as reference for the input current a lagging displacement angle. But in this way the maximum voltage transfer ratio for the converter would be significantly reduced. Therefore, even for the matrix converter, the upper limit of the input filter capacitance is set by the minimum acceptable AC mains power factor.

The last but not least requirement refers to the control of the impedance interaction between the input filter and the converter. In general, the filter output impedance should be as low as possible when compared to the converter input impedance [23], [24]. The filter output impedance can be reduced by increasing the filter capacitor size. Practically the impedance interaction constraint determines the lower bound on the filter capacitor value. Additionally, proper filter pole damping is extremely important for achieving low filter output impedance for all frequencies and, thus, overall system stability.

With regard to the matrix converter, although the stability issue did not appear in the relevant literature, it is not immune from this phenomenon.

In conclusion, an optimised design of the matrix converter input filter is a quite difficult task, since relies on a system level approach and in the light of the new coming harmonic and EMI reduction standards it can be somehow considered an outstanding issue.

2.3.3 The protection issue

Likewise any other static converter, the matrix converter needs to be protected against the

overvoltages and the overcurrents that might be destructive for its semiconductor devices. An effective and robust protection scheme plays a important role in the implementation of a stable and reliable power converter.

With respect to an AC drive application of the matrix converters, overvoltages can originate externally, as voltage surge existing onto the AC mains , or internally as consequence of a switch commutation error or timing inaccuracies that cause the interruption of an output motor current. This commutation-dependent risk is peculiar to the matrix converter which does not have, differently from traditional DC link converter, any automatic static free wheeling path for the output motor currents. As it will be better explained in chapter 3, the commutation strategies for bi-directional switches today available do neither require, in normal operating conditions, free wheeling paths to safely commute the output currents nor snubber circuit. The only operating condition in which a free wheeling path is needed is when the motor is disconnected due to an emergency shut-down of the converter. In this case, to prevent destructive overvoltages from appearing onto the matrix switches a free wheeling path to the motor currents has to be provided.

As far as the overcurrents are concerned, they can rise either from a short circuit through the converter of two input voltages or from an output line-to-line or line-to-earth short circuit. In both cases the protection strategy usually adopted consists in turning all the switches off, using the fact that the currents are monitored and power semiconductors can both withstand and switch considerable overcurrent on a non-repetitive basis [29]. It is obvious that such simply protection strategy can be used only if a free wheeling path is provided to the motor currents. Therefore, the overcurrent protection can be considered as somehow included in the overvoltage protection scheme.

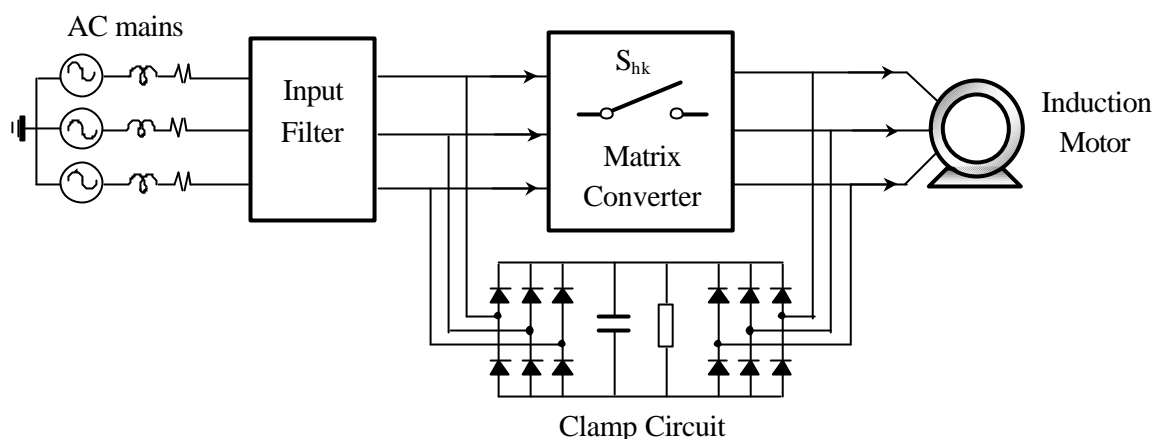


Fig.2.8 Clamp circuit as common protection for all matrix converter bi-directional switches.

The first protection scheme proposed in [2] and [11] is a clamp circuit made up of one or two capacitors connected to all input and all output lines through two diodes bridges (Fig.2.8).

This clamp circuit is operative for all nine bi-directional switches. It protects the switches from the surge coming from the input AC line as well as from the surge on the output side that would be otherwise produced whenever an emergency shut-down of the converter is required. As a matter of fact, in the latter case, when the inductive currents of the motor are interrupted, the energy stored in the load is transferred to the clamp capacitor and no critical overvoltage is caused if the capacitor is large enough. Furthermore, the clamp circuit prevents output voltage spikes caused during switches commutation by the parasitic inductance of the power switch matrix and by the unavoidable timing inaccuracies.

Since the capacitor voltage increases at each switching operation, some means to discharge the capacitor is required. An efficient energy removal method is to use the clamp energy to power system auxiliaries [11], even though a back up power supply would be probably needed due to the short term ride-through capability of the matrix converter [26].

This protection scheme has the advantages of being very simple; it has small hardware requirements and it is safe in all operating conditions. But it has also some drawbacks: it increases the number of the required semiconductor devices by 12 fast-recovery diodes, that might be reduced at 6 using some diodes of the power bi-directional switches [27]; it increases the amount of reactive components needed; and last but not least the optimum design of the clamp capacitor requires the knowledge of the equivalent circuit parameters of the motor [4].

A second recently proposed [28] passive protection scheme for low power applications relies on the use of three varistors, in triangle configuration, added at the input and output side of the converter, as shown in Fig.2.9.

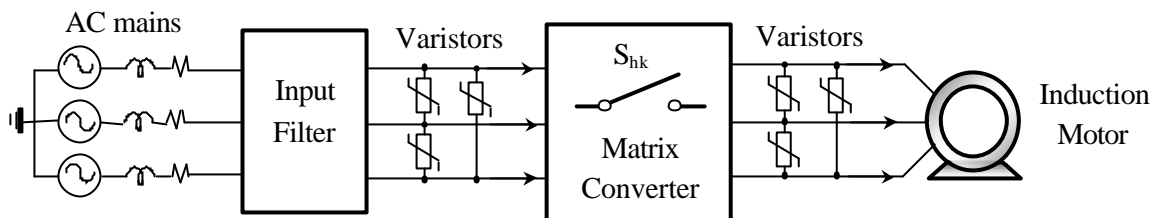


Fig.2.9 Matrix converter with varistor protection.

The input triangle has to protect the converter switches from the voltage surges coming from the AC mains. With regard to the output side, the risk of overvoltages originates, once more, from a hard converter shut-down due to an emergency stop or a converter error. In order to avoid that the output voltages rise to destructive level, the energy stored in the motor leakage inductances has to be managed, providing a free wheeling path to the motor currents. Since this stored energy is rather small, the varistors can be the devices which provide the free wheeling path to the motor currents and absorb the relevant energy. During normal operations, the losses caused by the varistors are not worth mentioning.

But the varistors triangles, by themselves, are not sufficient to guarantee, during a converter shut-down, a reliable protection of the matrix IGBTs: a problem occurs when a turning-off bi-directional switch reaches its blocking capability with a certain delay with respect to the others. In this case, the already turned off switches may experience the full overvoltage and being destroyed. In order to protect the single IGBT, a simple circuit made up with a suppressor diode is added to any IGBTs. The basic scheme of the added circuit is shown in Fig.2.10.

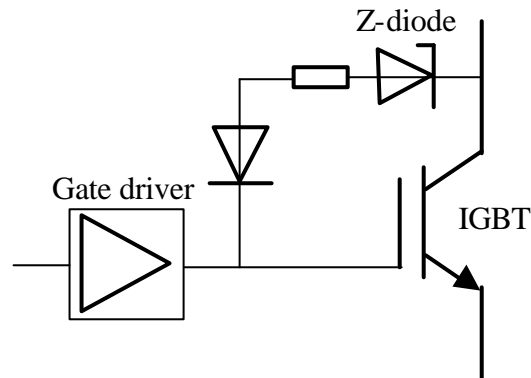


Fig.2.10 Gate driver with suppressor protection.

The inserted diode has the characteristic of a Zener diode with a high breakdown voltage. When the collector emitter voltage of the IGBT rises above the breakdown voltage of the suppressor diode, the IGBT is charged again and becomes conductive in its non-saturated region. This operation causes high losses in the IGBT, but it lasts only until all IGBTs are off and so it does not harm the chip.

Compared to the clamp circuit solution the varistor/suppressor diode protection scheme demands for some hardware modifications but it has the advantage of not requiring additional power semiconductor devices and reactive storage component, yielding a more compact and costly effective solution. As for the clamp circuit, the equivalent circuit parameters of the motor have to be known in order to select the suitable varistor.

An interesting and elegant protection scheme which might be used to prevent output side overvoltages due to hard shut-down of the converter was firstly proposed in [29] and more recently implemented in [30]. The method simply consists in a proper control strategy of the matrix unidirectional switches to be carried out after the emergency stop command has been set and before shutting-down the converter. The control strategy basically aims to create the same operating conditions of a traditional DC-link voltage converter at the shutdown. In traditional DC-link voltage converter (Fig.2.11), when all the switches are turned off, a static free-wheeling path to the motor currents is provided by the free-wheeling diodes. Through these paths the magnetic energy stored in the motor can be automatically transferred to the DC-link energy storage elements without any overvoltages and overcurrents risk.

For the matrix converter, since no static free-wheeling paths are available, such operating condition must be actively imposed [30]. The positive and negative DC rails are respectively substituted by the most positive and most negative input line-to-neutral voltage. For each output line current, the unidirectional switches of the matrix that provide a flowing path direct to and coming from the positive and negative rail respectively, have to be turned on.

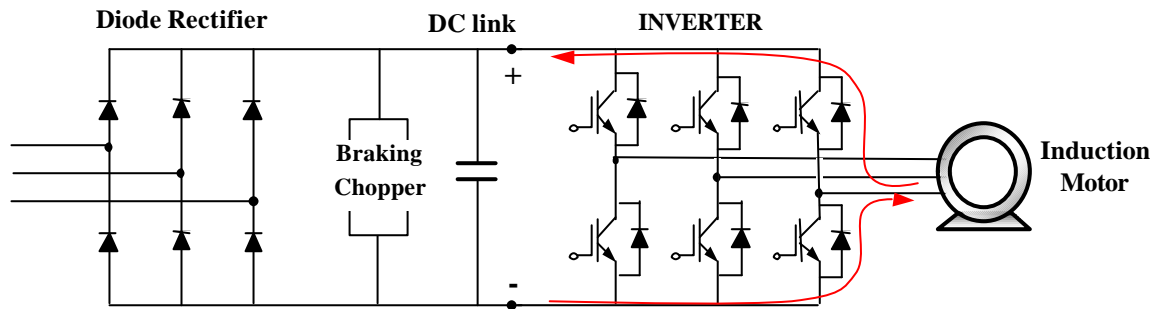


Fig.2.11 Conventional topology of a diode rectifier-Voltage Source Inverter.

Compared to the previous protection schemes, this solution does not require additional hardware or reactive components; it is efficient and elegant. But it does not protect the converter from input voltage surge and dangerous problems could rise if a temporary input power interruption occurs during freewheeling operations. A possible solution to these drawbacks might be the use of three star connected varistors at the input of the matrix switches.

References

- [1] P. Tenti, L. Malesani, L. Rossetto, "Optimum Control of N-Input K-Output Matrix Converters," IEEE Transactions on Power Electronics, Vol. 7, no. 4, pp. 707-713, October 1992.
- [2] A. Alesina, M. Venturini, "Analysis and Design of Optimum-Amplitude Nine-Switch Direct AC-AC Converters", IEEE Transactions on Power Electronics, Vol. 4, no. 1, pp. 101-112, January 1989.
- [3] D. Casadei, G. Grandi, G. Serra, A. Tani, "Space vector control of matrix converters with unity input power factor and sinusoidal input/output waveforms," Proceedings of IEE-EPE'93, Vol. 7, pp. 170-175, 1993.
- [4] P. Nielsen, "The matrix converter for an induction motor drive," Industrial Ph.D. project EF493, ISBN 87-89179-14-5, 296 pages, Aalborg University, Denmark, 1996.

- [5] P.D. Ziogas, S.I. Khan, and M.H. Rashid, "Analysis and Design of Forced Commutated Cycloconverter Structures with Improved Transfer Characteristics," IEEE Transactions on Industrial Application, vol. IE-33, No. 3, August 1986, pp. 271-280.
- [6] J. Chang, D. Braun, "High-frequency AC-AC converter using 3-in-1 IBPMs and adaptive commutation," Proceedings of IEEE/PESC'99, vol. 1, pp. 351 –357, 1999.
- [7] J. Mahlein, O. Simon, M. Braun, "A Matrix Converter with Space Vector Control Enabling Overmodulation," Proceedings of EPE'99, CD-ROM, paper 394, pp. 1-11, 1999.
- [8] M. Milanovic and B. Dobaj, "A Novel Unity Power Factor Correction Principle in Direct AC to AC Matrix Converters," Proceedings of IEEE/PESC'98, pp. 746-752.
- [9] L. Huber, D. Borojevic, "Space vector modulation with unity input power factor for forced commutated cycloconverters", in Conference Records of IEEE/IAS Annual Meeting, 1991, Part I, pp. 1032-1041.
- [10] J. Oyama, X. Xia, T. Higuchi, R. Tsukamoto, E. Yamada, T. Koga, "Power Factor Improvement of PWM Matrix Converter Using Intermediate Voltage", Proceeding of IEEE PCC-Yokohama '93, pp. 284-289.
- [11] C.L. Neft and C.D. Schauder, "Theory and Design of a 30-Hp Matrix Converter", in Conference Records of IEEE/IAS Annual Meeting, 1988, pp. 934-939.
- [12] N. Burany, "Safe Control of Four-Quadrant Switches," in Conference Records of IEEE/IAS Annual Meeting, 1989, pp. 1190-1194.
- [13] S.Xu, R. Plikat, R. Constapel, Jacek Korec, D. Silber, "Bidirectional IGBT on SOI substrate with high frequency and high temperature capability," Proceedings of IEEE International Symposium on Power Semiconductor Devices and IC's, 1997, ISPSD '97, Weimar, Germany 1997, pp. 37-40.
- [14] Hsin-hua Li, "Bidirectional lateral insulated gate bipolar transistor," U.S.Patent # 5,793,064, Rockwell, August, 1998.
- [15] S. Bernet, T. Matsuo and T.A. Lipo, "A Matrix Converter Using Reverse Blocking NPT-IGBT's and Optimised Pulse Patterns," Proceedings of IEEE/PESC'96 , Baveno, Italy, June 1996, pp. 107-113.
- [16] L. Huber, D. Borojevic, "Input Filter Design of Forced Commutated Cycloconverters", Proceedings of 6th Mediterranean Electrotechnical Conference, 1991, vol.2, pp. 1356-1359.

- [17] P.W. Wheeler, H. Zhang and D.A. Grant, "A theoretical and practical investigation of switching frequency harmonics in a matrix converter," Proceedings of UPEC'93, pp. 502-505, 1993.
- [18] P.W. Wheeler and D.A. Grant, "Optimised input filter design and low-loss switching techniques for a practical matrix converter," IEE Proceedings of Electric Power Applications, vol. 144, No. 1, pp. 53-60, Jan. 1997.
- [19] T. Matsuo, S. Bernet, R.S. Colby and T.A. Lipo, "Application of the Matrix Converter to Induction Motor Drives," Conference Record of Thirty-First IEEE/IAS Annual Meeting, Volume: 1, pp. 60-67, 1996.
- [20] N.R. Zargari, G. Joos, P.D. Ziogas, "Input Filter Design for PWM Current-Source Rectifiers", Proceedings of Applied Power Electronics Conference and Exposition 1993, APEC'93, pp. 824-830.
- [21] V. Vlatkovic, D. Borojevic, F.C. Lee, "Input Filter Design for Power Factor Correction Circuits," IEEE Transactions on Power Electronics, Vol. 11, No. 1, January 1996, pp. 199-205.
- [22] D. Casadei, G. Serra, A. Tani, P. Nielsen, "Theoretical and experimental analysis of SVM-controlled matrix converters under unbalanced supply conditions," Electromotion Journal, vol. 4, n° 1-2, pp. 28-37, 1997.
- [23] R.D. Middlebrook, "Input filter considerations in design and application of switching regulators", Conference Records of IEEE/IAS Society Annual Meeting, 1976, Chicago, pp. 91-107.
- [24] R.D. Middlebrook and S.M. Cuk, "Design Techniques for Preventing Input Filter Oscillations in Switched-Mode Regulators", Proceeding of Powercon 5, the Fifth National Solid-State Power Electronics Conference, 1978, pp. 153-168.
- [25] M. Venturini, "A new sine wave in, sine wave out, conversion technique eliminates reactive elements," in Proceedings of Powercon 7, San Diego, CA, 1980, pp. E3-1-E3-15.
- [26] C. Klumpner, I. Boldea, F. Blaabjerg, "Short Term Ride through Capabilities for Direct Frequency Converters," Proceedings of IEEE/PESC'00, vol. 1, pp. 235-241, 2000.
- [27] P. Nielsen, F. Blaabjerg, J.K. Pedersen, "New Protection Issues of a Matrix Converter: Design Considerations for Adjustable-Speed Drives," IEEE Transactions on Industry Applications, Vol. 35, no. 5, pp. 1150-1161, Sept./Oct. 1999.

- [28] J. Mahlein, M. Braun, "A Matrix Converter without Diode clamped Over-Voltage Protection," Proceedings of IEEE-IPEDC 2000, vol. 2, pp. 817-822, 2000.
- [29] R.R. Beasant, W.C. Beattie, A. Refsum, "An Approach to the Realisation of a High Power Venturini Converter," Proceedings of IEEE/PESC'90, pp. 291-297, 1990.
- [30] A. Schuster, "A Matrix Converter without Reactive Clamp Elements for an Induction Motor Drive System," Proceedings of IEEE/PESC'98, pp. 714-720, 1998.